

Installation Requirements

Slayer Espresso Single Group

Counter

- Width: 18.5 in / 47 cm (foot-to-foot)
Width: 22.2 in / 56.4 cm (incl. handles)
- Length: 23 in / 58 cm
- Height: 15.3 in / 38.8 cm (incl. handles)
- Weight: 110 lbs / 50 kg (tanks filled)

Measurements do not include overhanging components: portafilters.

Water

- 3/8-inch BSP dedicated cold water line with shutoff valve (in North America, 3/8-inch compression fitting is included)
- Required incoming water pressure:
3 Bar min, 5 Bar max
- Water hardness cannot exceed 50ppm, otherwise a water softener is needed

Power

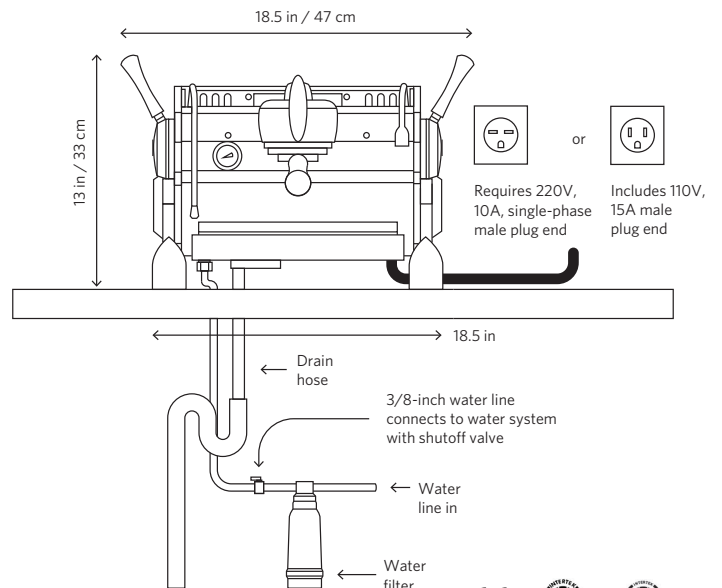
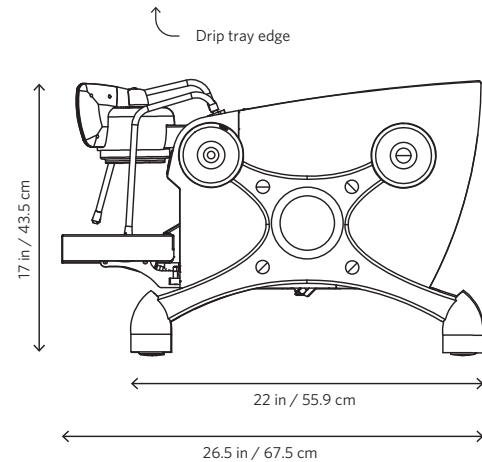
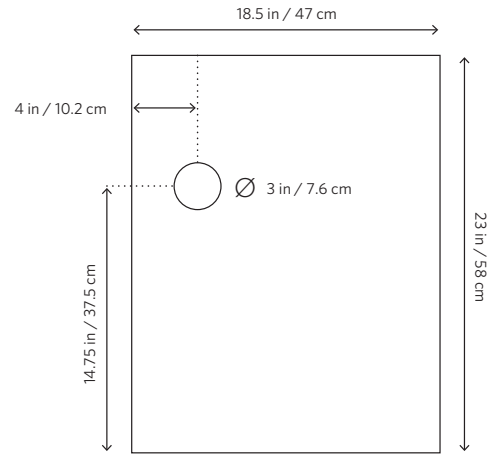
- 100—120 volts AC, Single Phase
- 1.6 kW
- Standard grounded plug end included
- Receptacle: Nema 5-15

OR

- 200—260 volts AC, Single Phase
- 2.1—2.4 kW
- Receptacle: Nema 6-15

Drain

- Open gravity drain located within 4 feet / 1.2 meters of the machine.
- Ensure drain line is always sloping downwards
- Drain hose: 7/8 inch outside diameter, 5/8 inch inside diameter (2.2 cm outside diameter, 1.6 cm inside diameter).



SLAYER
espresso machines

