

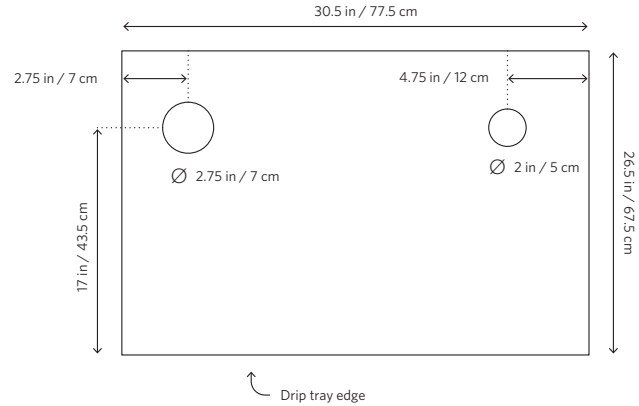
Installation Requirements

Slayer Espresso 2-Group

Counter

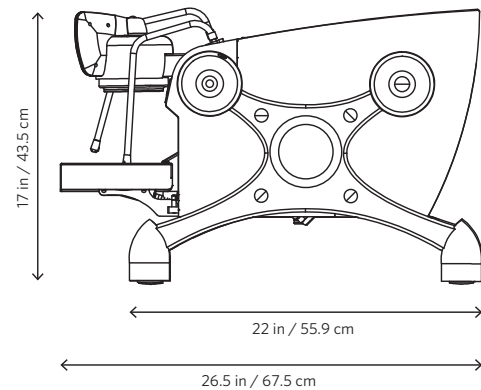
- Width: 30.5 in / 77.5 cm (foot-to-foot)
Width: 34.2 in / 86.9 cm (incl. handles)
- Length: 26.5 in / 67.5 cm
- Height: 17 in / 43.5 cm (incl. handles)
- Weight: 220 lbs / 100 kg (tanks filled)

Measurements do not include overhanging components: portafilters.



Water

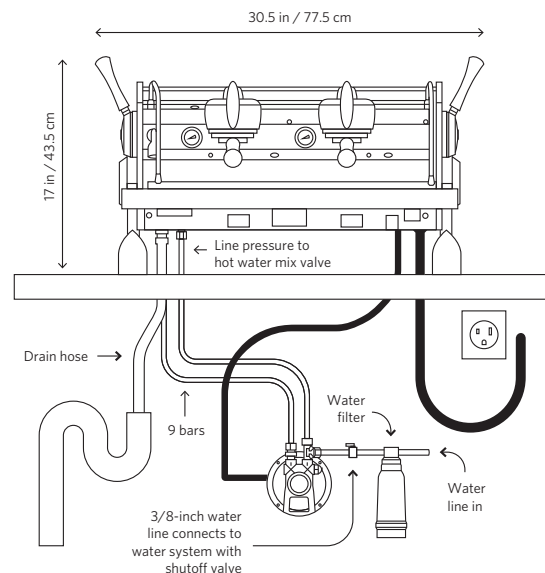
- 3/8-inch BSP dedicated cold water line with shutoff valve (in North America, 3/8-inch compression fitting is included)
- Required incoming water pressure: 3 Bar min, 5 Bar max
- Water hardness cannot exceed 50ppm, otherwise a water softener is needed



Power

- Single-phase: 200—260 volts AC, 50/60 hertz, 5.7—6.9 kW
- Three-phase: 380—400 volts AC, 50/60 hertz, 6.3—7.5 kW
- Receptacle: Nema 6-50

Male plug end is included only when UL specifications have been requested



Drain

- Open gravity drain located within 4 feet / 1.2 meters of the machine.
- Ensure drain line is always sloping downwards
- Drain hose: 7/8 inch outside diameter, 5/8 inch inside diameter (2.2 cm outside diameter, 1.6 cm inside diameter).

SLAYER
espresso machines

