

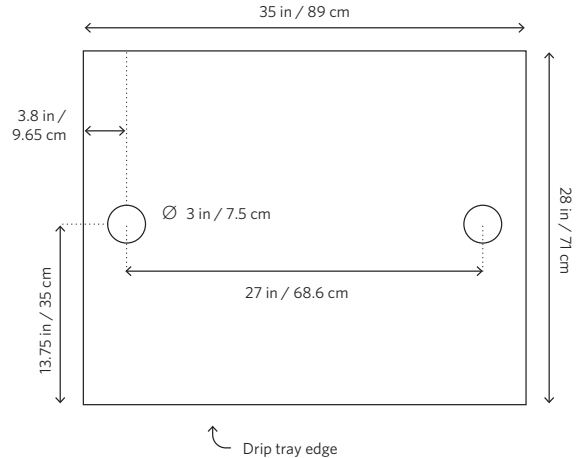
Installation Requirements

Slayer Steam EP 2-group

Counter

- Width: 35 inches / 89 centimeters
- Length: 28 inches / 71 centimeters
- Height: 17 inches / 43.2 centimeters
- Weight: 220 lbs / 100 kg (tanks filled)

Measurements do not include overhanging components: portafilters.

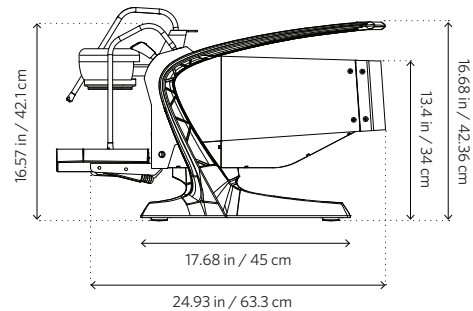


Water

- 3/8-inch BSP dedicated cold water line with shutoff valve (in North America, 3/8-inch compression fitting is included)
- Required incoming water pressure: 3 Bar min, 5 Bar max
- Water hardness cannot exceed 50ppm, otherwise a water softener is needed

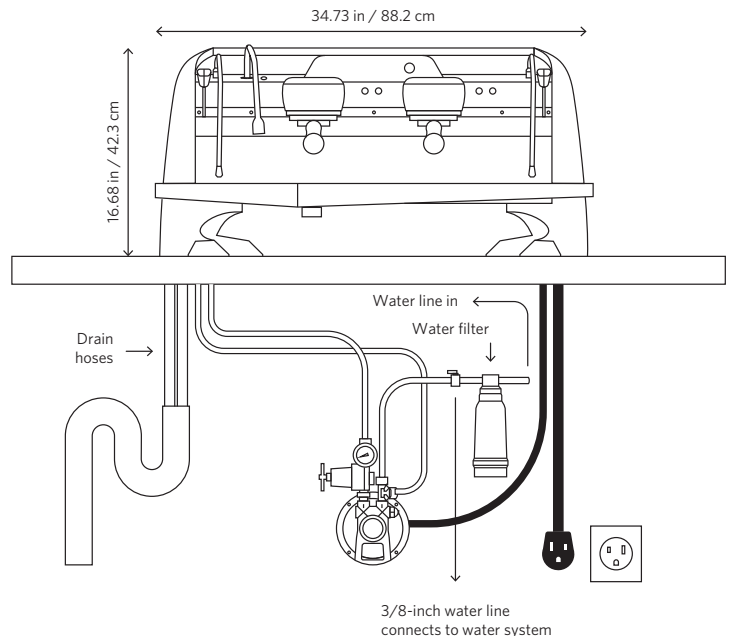
Power

- Single-phase: 200-260 volts AC, 50/60 hertz, 4.7–5.6 kW
- Three-phase: 380-400 volts AC, 50/60 hertz, 4.9–5.7 kW
- Receptacle: Nema 6-50



Drain

- Open gravity drain located within 4 feet / 1.2 meters of the machine
- Two (2) drain hoses: 7/8-inch outside diameter, 5/8-inch inside diameter (2.2-centimeter outside diameter, 1.6-centimeter inside diameter).
- Ensure drain line is always sloping downwards



STEAM^{EP}

