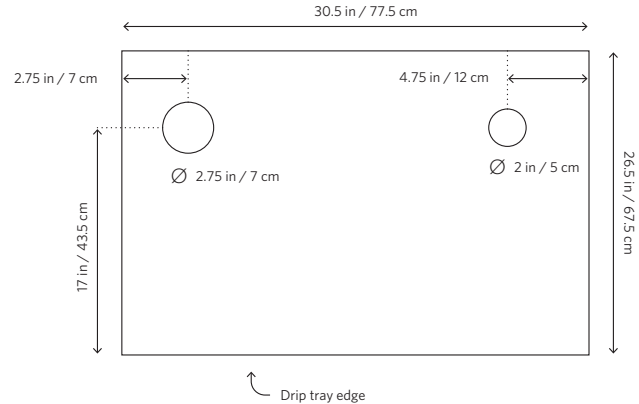


Installation Requirements

Slayer Espresso 3-Group

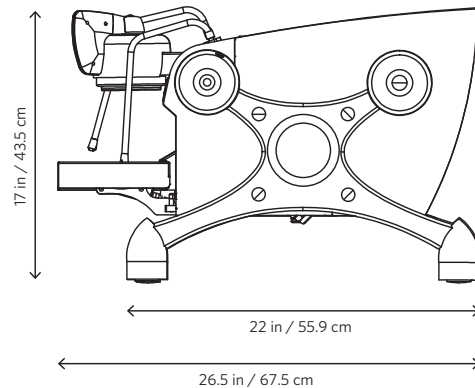
Counter

- Width: 40.5 in / 103 cm (foot-to-foot)
Width: 44.2 in / 112.25 cm (incl. handles)
- Depth: 26.5 in / 67.5 cm
- Height: 17 in / 43.5 cm (incl. handles)
- Weight: 305 lbs / 139 kg (tanks filled)
Measurements do not include overhanging components: portafilters.



Water

- 3/8-inch BSP dedicated cold water line with shutoff valve (in North America, 3/8-inch compression fitting is included)
- Required incoming water pressure: 3 Bar min, 5 Bar max
- Water hardness cannot exceed 50ppm, otherwise a water softener is needed

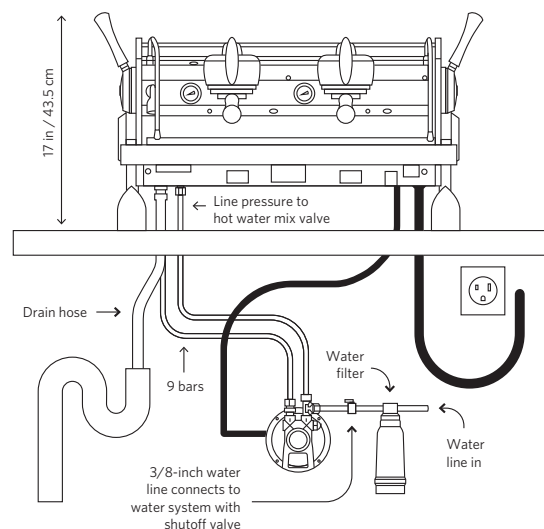


Power

- Single-phase: 220—240 v, 50/60 hertz, 35 a, 7.3—8.7 kW
- Three-phase: 380—415 v3n, 50/60 hertz, 22 a, 7.3—8.7 kW
- Receptacle: Nema 6-50
Male plug end is included only when UL specifications have been requested

Drain

- Open gravity drain located within 4 feet / 1.2 meters of the machine.
- Ensure drain line is always sloping downwards
- Drain hose: 7/8 inch outside diameter, 5/8 inch inside diameter (2.2 cm outside diameter, 1.6 cm inside diameter).



SLAYER
espresso machines

